



Lester Electrical

LESTRONIC BATTERY CHARGER

MODEL 07690-74

PLEASE SAVE THESE IMPORTANT SAFETY AND OPERATING INSTRUCTIONS

For correct operation of the equipment, it is important to read and be familiar with this entire manual before installing and operating the charger.
DO NOT DISCARD THIS MANUAL AFTER READING.




LOOK FOR THIS SYMBOL TO POINT OUT SAFETY PRECAUTIONS. IT MEANS: *BECOME ALERT—YOUR SAFETY IS INVOLVED.* IF YOU DO NOT FOLLOW THESE SAFETY INSTRUCTIONS, INJURY OR PROPERTY DAMAGE CAN OCCUR.

 WARNING: NOT FOR USE WHEN DC CORD IS PERMANENTLY CONNECTED TO THE BATTERIES.


1. Connect power supply cord to properly grounded outlet of the proper voltage and frequency as specified on the charger nameplate. Circuit breaker or fuse protection in the AC line must be adequate to handle the input power requirements. When it is necessary to use an AC extension cord to the charger, use a three conductor, 12 gauge cord with ground and keep as short as possible.

If DC output cord is connected to batteries, charger will automatically turn on after a short delay.

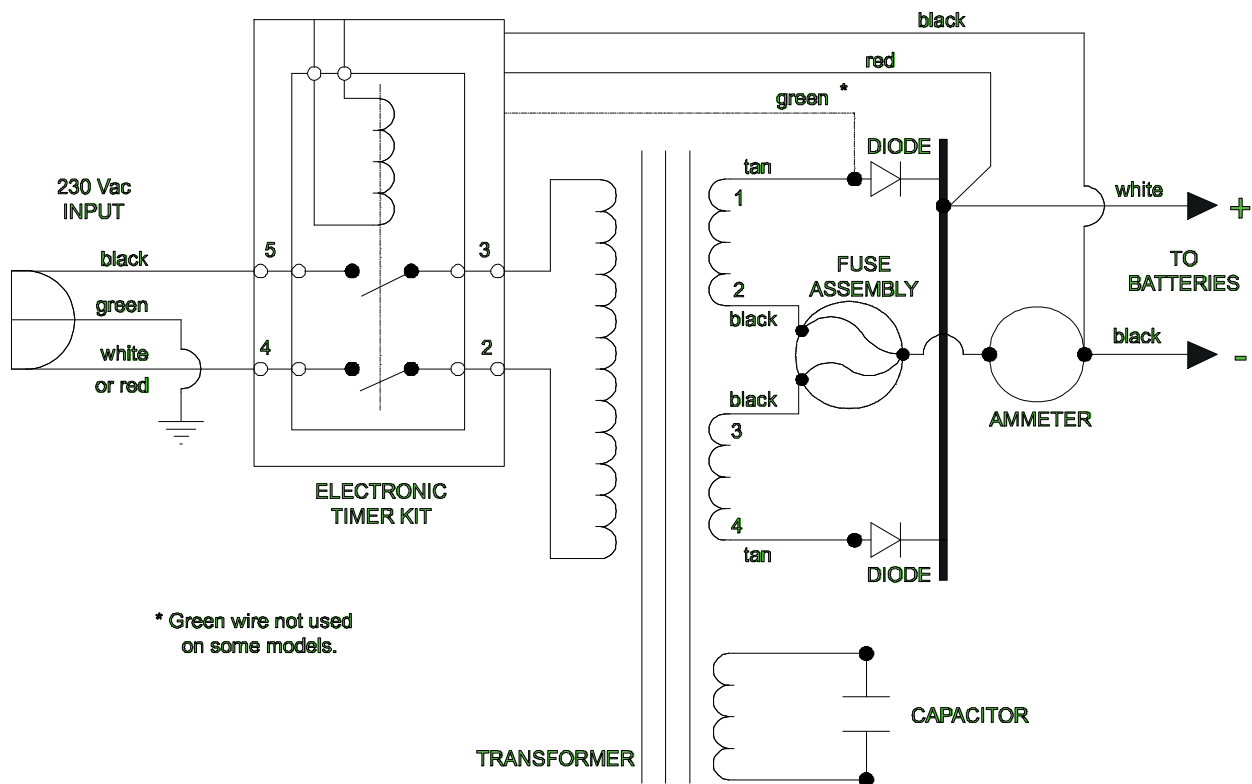
2. Connect DC output cord to batteries. Charger turns on automatically. To prevent arcing and burning of the battery and charger plug contacts, be sure to attach the plugs firmly and securely together.

 CAUTION: DO NOT REMOVE DC CORD FROM BATTERIES WHEN CHARGER IS OPERATING. IF CHARGE CYCLE MUST BE INTERRUPTED, DISCONNECT POWER SUPPLY CORD BEFORE REMOVING DC CORD.

3. Monitor ammeter for correct charge rate. Refer to instructions printed on charger case to determine proper charge rate. Normal charging at the finish charge rate for the last 3 to 5 hours is important to achieve equalization of all battery cells every time the batteries are charged. New batteries or batteries charged in cold temperatures (below 50°F) will require more time to achieve full charge.
4. Charger turns off automatically when batteries are fully charged.

 CAUTION: IN THE UNLIKELY EVENT THAT THE CHARGER DOES NOT TURN OFF AUTOMATICALLY, OVERCHARGING AND POSSIBLE BATTERY DAMAGE MAY RESULT. FOR BEST BATTERY LIFE, CHECK TO BE SURE THE CHARGER HAS TURNED OFF PROPERLY AFTER EACH CHARGE CYCLE.

WIRING DIAGRAM



PARTS LIST FOR LESTRONIC II CHARGER MODEL 07690-74 TYPE 12LC25-8ET 230 VAC / 50 HZ

PART NO.	DESCRIPTION
07671S	CASE ASSEMBLY
07687S	TRANSFORMER ASSEMBLY
16354S	HEATSINK ASSEMBLY, W/ DIODES
04127S	AMMETER
07668S	ELECTRONIC TIMER ASSEMBLY
02390S	CAPACITOR, 6.0 MFD, 660 VAC
02028S	BUSHING, 7W-2, INSULATOR FOR DC CORD
03894S	BUSHING, 7K-2, INSULATOR FOR AC CORD
08947S	CORDSET, AC
25328S	CORDSET, DC, W/ SB175, YELLOW PLUG
08776S	FUSE ASSEMBLY

LIMITED WARRANTY

Minuteman warrants each new Battery Charger for defects in material and workmanship for a period of one (1) year from the date of manufacture of the complete unit. Repairs can be made at the Minuteman factory. To do so, send the defective unit with transportation charges prepaid to:

**Minuteman, Inc.
111 South Rohlwing Road
Addison, Illinois 60101
Attention: Service Department**

For repairs made at other than the Minuteman factory, Minuteman will provide only the replacement parts. Defective parts should be sent with transportation charges prepaid to the Minuteman factory at the address noted above.

If the unit or parts are found in the reasonable judgment of Minuteman to be defective in material or workmanship, repair or replacement will be made by Minuteman without charge for parts or labor. Repair or replacement will be at the discretion of Minuteman, with replacements being made using current models or parts performing the equivalent function. Labor charges other than those incurred at the Minuteman factory are not covered under this warranty. All expenses associated with delivering defective items to the Minuteman factory and the expense of returning repaired or replaced items from the Minuteman factory to the owner will be paid for by the owner. All warranty work accomplished at the Minuteman factory will be completed with a reasonable time after receipt of defective items.

This warranty does not cover any semiconductor parts, such as diodes, which are vulnerable to electrical overloads beyond the control of Minuteman. Warranty on parts not manufactured by Minuteman, which include, but are not limited to, timers and ammeters, is limited to the period specified in the original manufacturer's warranty.

This warranty does not cover any charger that has been subject to misuse, neglect, negligence, or accident, or operated in any way contrary to instructions specified on the charger case and in the owner's manual. No claim of breach of warranty shall be cause for cancellation of the contract of sale of any Minuteman charger. Minuteman assumes no responsibility for loss of time, inconvenience, or other damage, consequential or otherwise, resulting from a defective charger. All implied warranties (including merchantability) are limited in duration to the one year from date of manufacture warranty period.

Some states do not allow the exclusion or limitation of incidental or consequential damages; or limitations on how long an implied warranty lasts, so the above limitations may not apply to you. This warranty gives you specific legal rights, and you may also have other rights which vary from state to state.

Minuteman's obligation under this warranty is strictly and exclusively limited to the repair or replacement of defective items. Minuteman issues this warranty in good faith and with full confidence in the workmanship and quality of Minuteman products.